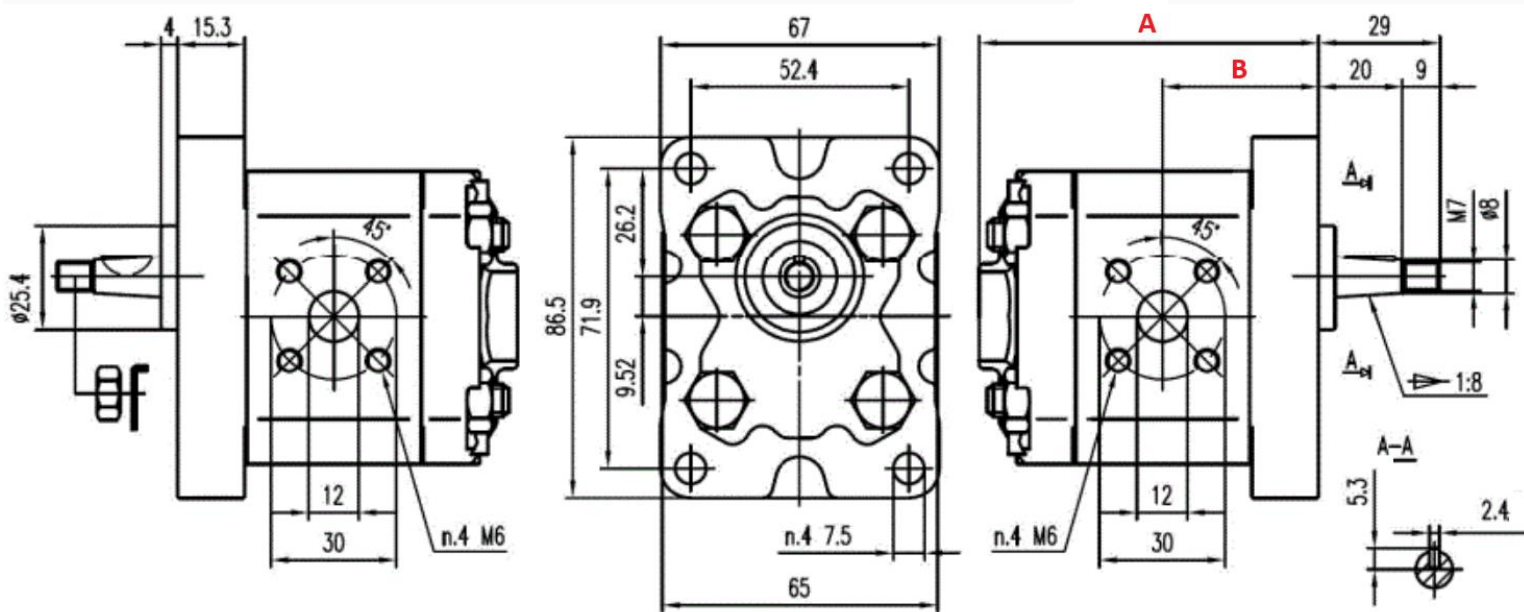


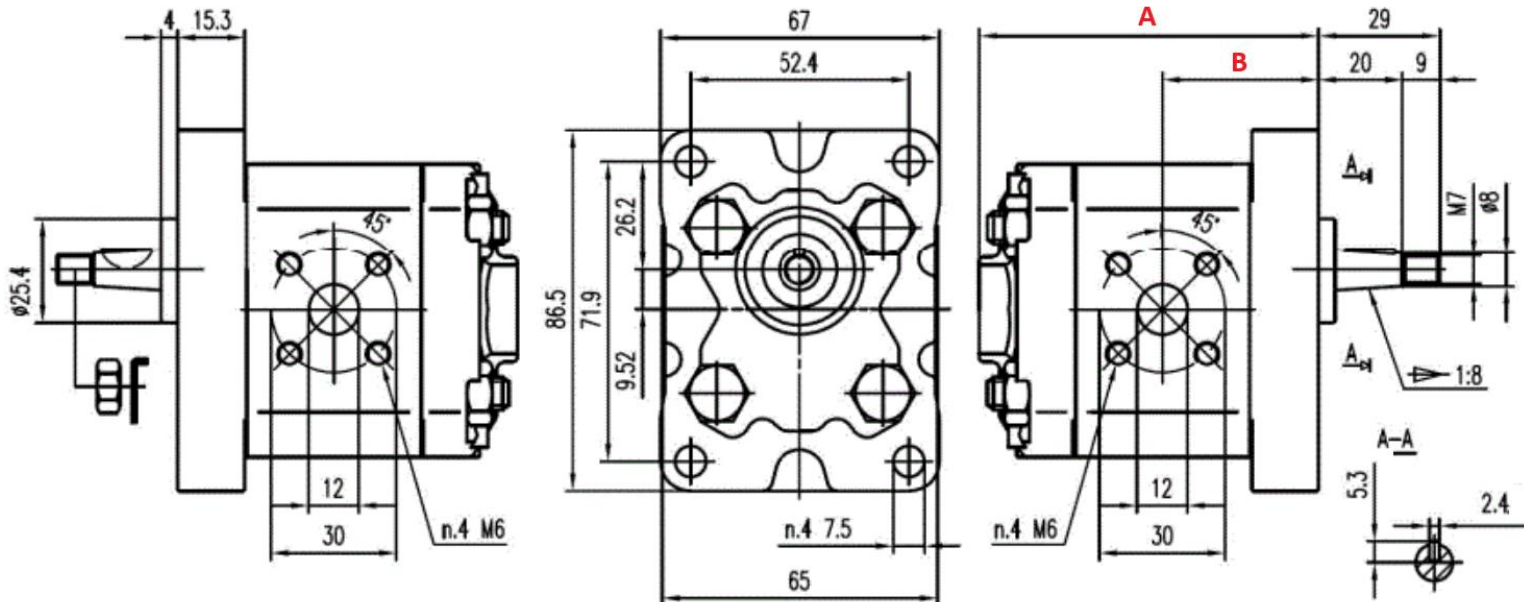
DATASHEET – DIMENSIONS

HYDRAULIC GEAR PUMPS GR.1 - »FLANGE«



Direction of rotation: LEFT

Code	Flow (L/min)	Working pressure (bar)	Max. pressure (bar)	Revolution (rpm)	Suction flange (mm)	Pressure flange (mm)	A (mm)	B (mm)
11325	1,6	250	300	6000	30	30	78	35
10642	2,7						81	37
10643	3,7						85	39
10644	4,8	200	250	4000	30	30	89	41
10645	5,8						93	43
10646	6,3						95	44
11603	8						101	47



Direction of rotation: RIGHT

Code	Flow (L/min)	Working pressure (bar)	Max. pressure (bar)	Revolution (rpm)	Suction flange (mm)	Pressure flange (mm)	A (mm)	B (mm)
11324	1,6	250	300	6000	30	30	78	35
10647	2,7						81	37
10648	3,7						85	39
10649	4,8	200	250	4000	30	30	89	41
10650	5,8			3500			93	43
10651	6,3			2900			95	44
11604	8			2100			101	47